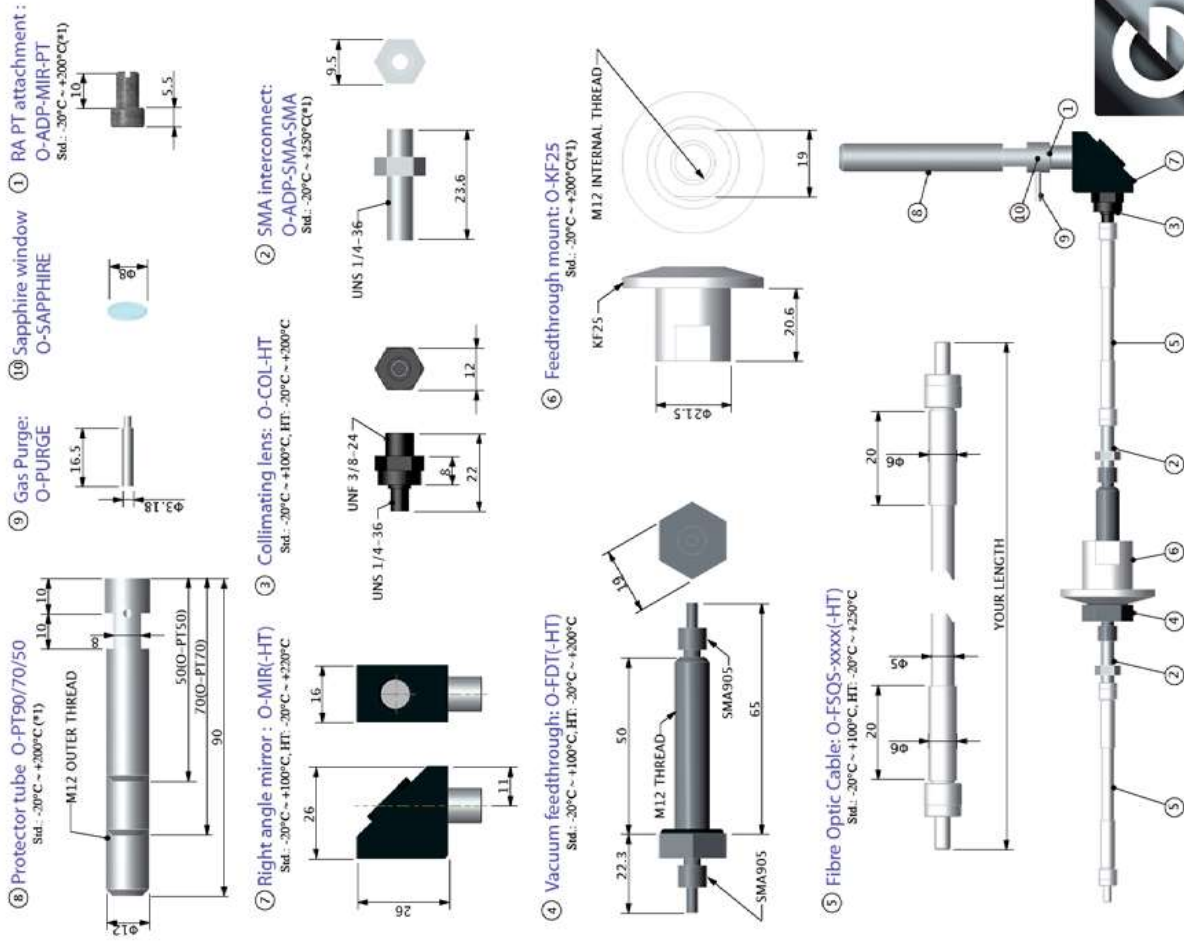


Standard range of internal optical components and an external KF25 based sensor

genco: perfect your process



(*) These components are limited by the mating component's temperature limit.

